



 **LMI**
MILTON ROY

LMI Roytronic™
SERIES P⁺

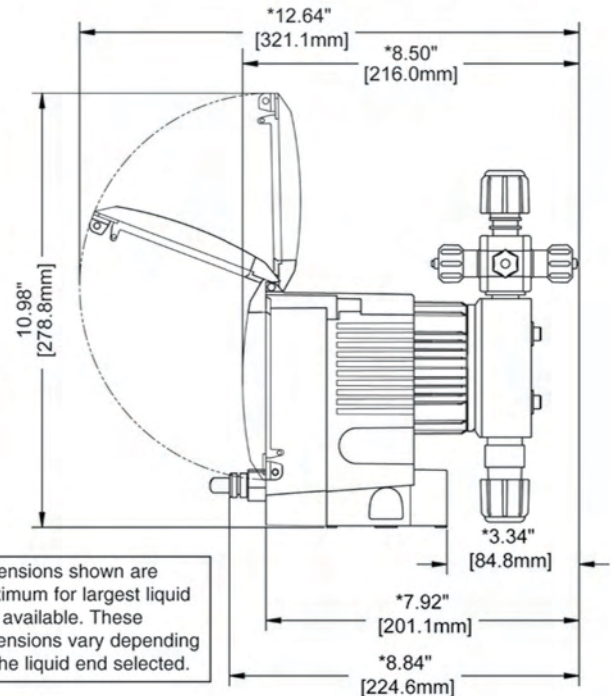
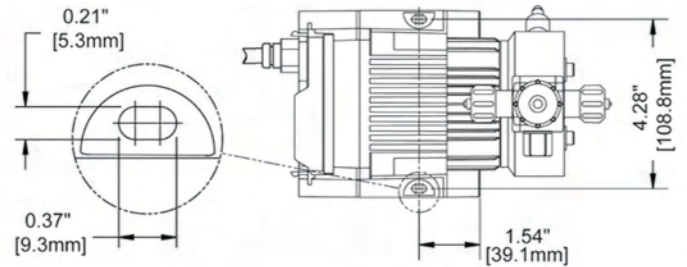
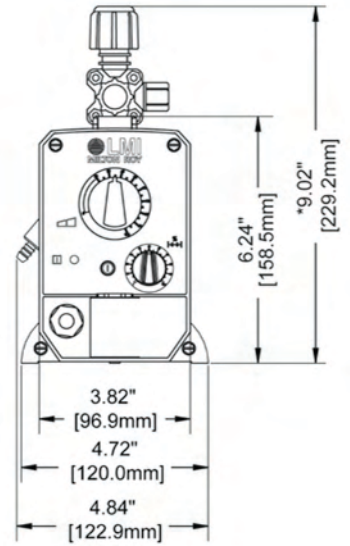
- New robust design with enhanced LMI quality and added customer value
- New standard FastPrime™ Head and new optional AutoPrime™ Head
- Additional material combinations and increased stroking speeds allow for greater pump flexibility and application versatility



Model P⁺ 7 5 1 - 8 2 8 S I

Model Code Configuration

Drive	Control Code 0 – Single Manual Control: Speed (stroking frequency) fixed and stroke length manually adjustable 1 – Dual Manual Control: Speed (stroking frequency) and stroke length manually adjustable 3 – Pulse Input / Single Manual Control: External control capability through pulse input and low level float switch plus manual control adjustments of control code 0 7 – Pulse Input / Dual Manual Control: External control capability through pulse input and low level float switch plus manual control adjustments of control code 1 8 – Analog Input / Dual Manual Control: External control capability through 4-20 mA input and low level float switch plus manual control adjustments of control code 1
	Output / Size Code 1 – .26 GPH (0.9 l/h), 250 PSI (17.2 Bar), 120 SPM 4 – .50 GPH (1.9 l/h), 250 PSI (17.2 Bar), 240 SPM 5 – 1.0 GPH (3.8 l/h), 110 PSI (7.6 Bar), 240 SPM 6 – 2.0 GPH (7.6 l/h), 50 PSI (3.4 Bar), 240 SPM 8 – 3.2 GPH (12.1 l/h), 22 PSI (1.5 Bar), 240 SPM 9 – 4.0 GPH (15.1 l/h), 15 PSI (1.0 Bar), 240 SPM
	Voltage Code 1 – 110-120V US Plug 2 – 220-240V US Plug 3 – 220-240V DIN Plug 4 – 220-240V Israel Plug 5 – 220-240V UK Plug 6 – 220-240V Aust/NZ Plug 7 – 220-240V Swiss Plug 8 – 110-120V No Plug 9 – 220-240V Indian Plug
	Liquid End Code 7 – Molded Head, Single Ball Check Valves 8 – Molded Head, Double Ball Check Valves 9 – Machined Head, Double Ball Check Valves
Liquid End	Liquifram™ Size Code 1 – 0.2 in ² 2 – 0.4 in ² 3 – 0.8 in ² 4 – 1.6 in ²
	Material Code See Next Page for Material Options
	Head/Valve Code S – FastPrime™ Head + 4FV N – FastPrime™ Head H – AutoPrime™ Head + 4FV A – AutoPrime™ Head <small>*AutoPrime & 4FV are not available for Px8 & Px9</small>
	Connection Code I – Inch Tubing M – Metric Tubing P – 1/2" NPT - 1/2" BSP Pipe U – Black, UV Resistant Tubing



* Dimensions shown are maximum for largest liquid end available. These dimensions vary depending on the liquid end selected.

		P*X1 0.003 to 0.26 GPH (0.01 to 0.9 l/h)		Liquifram™		Size Code 1		250 psi (17.2 Bar)	
		P*X4 0.005 to 0.5 GPH (0.02 to 1.9 l/h)		Liquifram™		Size Code 1		250 psi (17.2 Bar)	
Drive Assembly	Liquid End	Materials of Construction						Accs. Valve	Tubing & Connections
		Head/Fittings	Balls	Liquifram™	Seat	O-ring			
AutoPrime™ Liquid Ends									
P*81_	910HI	Acrylic / PVC	Ceramic	Fluorofilm™	PTFE	Polyprel®	APH + 4FV	PE 1/4" O.D.	
P*71_	918HI	PVC / PVC	Ceramic	Fluorofilm™	PTFE	Polyprel®	APH + 4FV	PE 1/4" O.D.	
Machined FastPrime™ Liquid Ends (Double Ball Check Valves)									
P*11_	910SI	Acrylic / PVC	Ceramic	Fluorofilm™	PTFE	Polyprel®	FPH + 4FV	PE 1/4" O.D.	
P*01_	915SI	PP / PP	Ceramic	Fluorofilm™	PTFE	PTFE	FPH + 4FV	PE 1/4" O.D.	
P*84_	919SI	Acrylic / PVDF	PTFE	Fluorofilm™	PTFE	Polyprel®	FPH + 4FV	PE 1/4" O.D.	
Molded FastPrime™ Liquid Ends (Double Ball Check Valves)									
P*34_	812SI	PVDF / PVDF	Ceramic	Fluorofilm™	PTFE	Polyprel®	FPH + 4FV	PE 1/4" O.D.	
P*14_	813SI	PVDF / PVDF	Ceramic	Fluorofilm™	PTFE	PTFE	FPH + 4FV	PE 1/4" O.D.	
P*04_	818SI	PVC / PVC	Ceramic	Fluorofilm™	PTFE	Polyprel®	FPH + 4FV	PE 1/4" O.D.	
Molded FastPrime™ Liquid Ends (Single Ball Check Valves)									
	718SI	PVC / PVC	Ceramic	Fluorofilm™	PTFE	Polyprel®	FPH + 4FV	PE 1/4" O.D.	

		P*X5 0.01 to 1.0 GPH (0.04 to 3.8 l/h)		Size Code 2		110 psi (7.6 Bar)			
Drive Assembly	Liquid End	Materials of Construction						Accs. Valve	Tubing & Connections
		Head/Fittings	Balls	Liquifram™	Seat	O-ring			
AutoPrime™ Liquid Ends									
	920HI	Acrylic / PVC	Ceramic	Fluorofilm™	PTFE	Polyprel®	APH + 4FV	PE 3/8" O.D.	
	928HI	PVC / PVC	Ceramic	Fluorofilm™	PTFE	Polyprel®	APH + 4FV	PE 3/8" O.D.	
Machined FastPrime™ Liquid Ends (Double Ball Check Valves)									
P*85_	920SI	Acrylic / PVC	Ceramic	Fluorofilm™	PTFE	Polyprel®	FPH + 4FV	PE 3/8" O.D.	
	925SI	PP / PP	Ceramic	Fluorofilm™	PTFE	PTFE	FPH + 4FV	PE 3/8" O.D.	
P*75_	929SI	Acrylic / PVDF	PTFE	Fluorofilm™	PTFE	Polyprel®	FPH + 4FV	PE 3/8" O.D.	
Molded FastPrime™ Liquid Ends (Double Ball Check Valves)									
P*15_	822SI	PVDF / PVDF	Ceramic	Fluorofilm™	PTFE	Polyprel®	FPH + 4FV	PE 3/8" O.D.	
P*05_	823SI	PVDF / PVDF	Ceramic	Fluorofilm™	PTFE	PTFE	FPH + 4FV	PE 3/8" O.D.	
	828SI	PVC / PVC	Ceramic	Fluorofilm™	PTFE	Polyprel®	FPH + 4FV	PE 3/8" O.D.	
Molded FastPrime™ Liquid Ends (Single Ball Check Valves)									
	728SI	PVC / PVC	Ceramic	Fluorofilm™	PTFE	Polyprel®	FPH + 4FV	PE 3/8" O.D.	

		P*X6 0.02 to 2.0 GPH (0.08 to 7.6 l/h)		Size Code 3		50 psi (3.4 Bar)			
		P*X8 0.03 to 3.2 GPH (0.12 to 12.1 l/h)		Size Code 3		22 psi (1.5 Bar)			
Drive Assembly	Liquid End	Materials of Construction						Accs. Valve	Tubing & Connections
		Head/Fittings	Balls	Liquifram™	Seat	O-ring			
AutoPrime™ Liquid Ends									
P*86_	930HI	Acrylic / PVC	Ceramic	Fluorofilm™	Polyprel®	Polyprel®	APH + 4FV	PE 3/8" O.D.	
P*76_	938HI	PVC / PVC	Ceramic	Fluorofilm™	Polyprel®	Polyprel®	APH + 4FV	PE 3/8" O.D.	
Machined FastPrime™ Liquid Ends (Double Ball Check Valves)									
P*16_	930SI	Acrylic / PVC	Ceramic	Fluorofilm™	Polyprel®	Polyprel®	FPH + 4FV	PE 3/8" O.D.	
P*06_	935SI	PP / PP	Ceramic	Fluorofilm™	PTFE	PTFE	FPH + 4FV	PE 3/8" O.D.	
P*88_	939SI	Acrylic / PVDF	PTFE	Fluorofilm™	Polyprel®	Polyprel®	FPH + 4FV	PE 3/8" O.D.	
Molded FastPrime™ Liquid Ends (Double Ball Check Valves)									
P*38_	832SI	PVDF / PVDF	Ceramic	Fluorofilm™	Polyprel®	Polyprel®	FPH + 4FV	PE 3/8" O.D.	
P*18_	833SI	PVDF / PVDF	Ceramic	Fluorofilm™	PTFE	PTFE	FPH + 4FV	PE 3/8" O.D.	
P*08_	838SI	PVC / PVC	Ceramic	Fluorofilm™	Polyprel®	Polyprel®	FPH + 4FV	PE 3/8" O.D.	
Molded FastPrime™ Liquid Ends (Single Ball Check Valves)									
	738SI	PVC / PVC	Ceramic	Fluorofilm™	Polyprel®	Polyprel®	FPH + 4FV	PE 3/8" O.D.	

		P*X9 0.04 to 4.0 GPH (0.15 to 15.1 l/h)		Size Code 4		15 psi (1 Bar)			
Drive Assembly	Liquid End	Materials of Construction						Accs. Valve	Tubing & Connections
		Head/Fittings	Balls	Liquifram™	Seat	O-ring			
Machined FastPrime™ Liquid Ends									
P*89_	940NI	Acrylic / PVC	Ceramic	Fluorofilm™	Polyprel®	Polyprel®	FPH	PE 1/2" O.D.	
	945NI	PP / PP	Ceramic	Fluorofilm™	PTFE	PTFE	FPH	PE 1/2" O.D.	
P*79_	949NI	Acrylic / PVDF	PTFE	Fluorofilm™	Polyprel®	Polyprel®	FPH	PE 1/2" O.D.	
Molded FastPrime™ Liquid Ends (Double Ball Check Valves)									
P*19_	842NI	PVDF / PVDF	Ceramic	Fluorofilm™	Polyprel®	Polyprel®	FPH	PE 1/2" O.D.	
P*09_	843NI	PVDF / PVDF	Ceramic	Fluorofilm™	PTFE	PTFE	FPH	PE 1/2" O.D.	
	848NI	PVC / PVC	Ceramic	Fluorofilm™	Polyprel®	Polyprel®	FPH	PE 1/2" O.D.	
Molded FastPrime™ Liquid Ends (Single Ball Check Valves)									
	748NI	PVC / PVC	Ceramic	Fluorofilm™	Polyprel®	Polyprel®	FPH	PE 1/2" O.D.	

- To specify changes in head, accessory valve, and/or connections, please refer to the model code configuration chart.
- APH indicates that the pump is equipped with an LMI AutoPrime™ Head. This head allows for the constant removal of vapors and gases present in applications like sodium hypochlorite and hydrogen peroxide.
- FPH indicates that the pump is equipped with an LMI FastPrime™ Head. This head has an integral manual priming valve to facilitate quick pump start-up.
- 4FV indicates that the pump is equipped with an LMI Four Function Valve. This diaphragm type, anti-syphon/pressure relief valve is installed on the pump head.
- Fluorofilm™ is a copolymer of PTFE and PFA. Polyprel® is an elastometric PTFE copolymer.
- Polyprel® is a registered trademark of Liquid Metronics Incorporated. Fluorofilm™, Liquifram™, AutoPrime™ and FastPrime™ are trademarks of Liquid Metronics Incorporated. Hypalon® is a registered trademark of E.I. DuPont de Nemours & Co. Inc.

LMI Roytronic™

SERIES P⁺

- New robust LMI solenoid design
- Increased stroking speed range (1 to 240 spm), combined with standard stroke length range (30 to 100%) allows for more precise chemical dosing
- Single-ball or double-ball check valve options enable improved pumping efficiency
- NEMA 4X / IP65 enclosure
- On/Off push button capability
- Optional, lockable clear cover
- Stroke indicator light flashes when the pump is stroking
- Simplified and more robust tubing connections eliminate metal seal rings and utilize common parts for all sizes and configurations
- New industrial watertight IP-68 electrical connectors for external equipment interface
- Optional low-level float switch connects to new low-level connector (3-Pin) and low-level indicator light that warns when chemical level is low
- External mode option has pulse input control capability through external control connector (5-Pin)
- External mode option has 4-20 mA input control capability through external control connector (5-Pin)
- New remote on/off option through external control connector (5-Pin)



www.lmipumps.com

Milton Roy Americas • 201 Ivyland Road • Ivyland, PA 18974 • Tel: (215) 293-0401 • Fax: (215) 293-0445

Milton Roy Asia Pacific • 23 Tagore Lane #03-06 • Tagore 23 Warehouse Complex • Singapore 787601 • Singapore • Tel: 6242-9182 • Fax: 6243-4249

Milton Roy - Europe • 10 Grande Rue • 27360 Pont-Saint-Pierre, France • Tel: +33 (0)2 32 68 30 00 • Fax: +33 (0)2 32 68 30 93

Milton Roy - HSIS • Building 1, No. 879 Shen Fu Road • XinZhuang Industrial Zone • Min Hang District • Shanghai, China 201108 • Tel: 86 21 54425055 • Fax: 86 21 54425266

Milton Roy India - HSIS • 4 Rajarajan Street • Visalakshi Nagar • Ekkaduthangal, Chennai 600 097 • India • Tel: 91-44-2225-4000 • Fax: 91-44-2225-4004