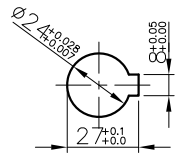
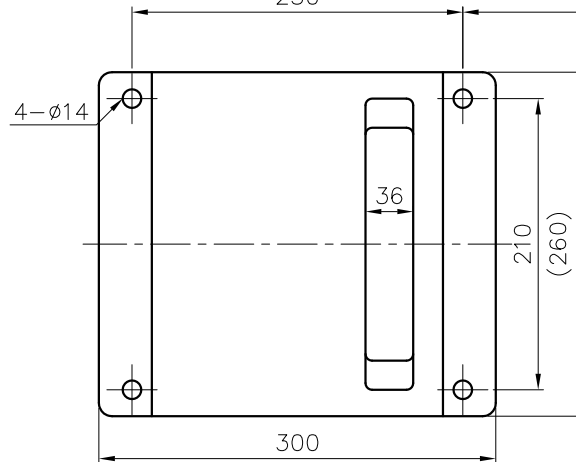


(L=50)



SCALE = 1:2



DIMENSION TOLERANCE : JIS 16 CLASS

APPROVED		MDL. NAME	NH-553PWH/PWH-F
UNIT	MM	CHECK	07 08 15
SCALE	1:4	DESIGN	07 08 15
EDITION	1	DR.BY	07 08 15 FANNY
		DWG. NAME	INSTALLATION DRAWING
		DWG. NO.	T1733212 A3

TPW
HONG YUAN



PAN WORLD CO.,LTD.
パンワールド株式会社