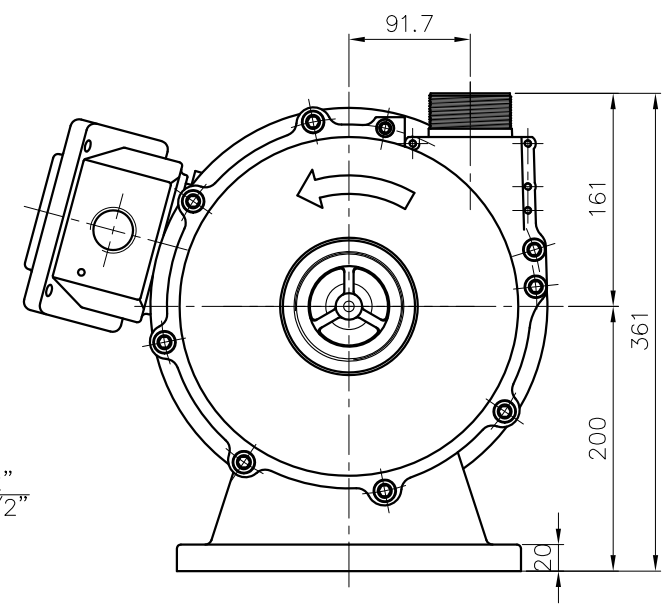


G2 1/2" NPT2 1/2"



DIMENSION TOLERANCE : JIS 16 CLASS

| | | | | | |
|---------|----------|----------|----------------|-----------|----------------------|
| ϕ | ∇ | APPROVED | | MDL. NAME | NH-5010PWH/PWH-F |
| UNIT | MM | CHECK | 07 08 15 | DWG. NAME | INSTALLATION DRAWING |
| SCALE | 1:4 | DESIGN | 07 08 15 | DWG. NO. | T1783210 |
| EDITION | 1 | DR.BY | 07 08 15 FANNY | | A3 |

TPW
HONG YUAN



PAN WORLD CO.,LTD.
パンワールド株式会社