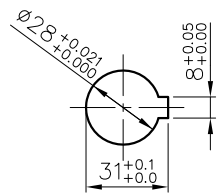
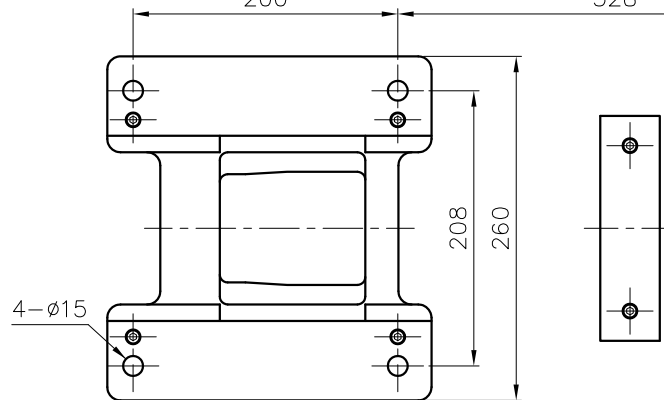



(L=60)



SCALE = 1:2



DIMENSION TOLERANCE : JIS 16 CLASS

APPROVED		MDL. NAME		NH-405PW-N NH-405PW-N-K	
UNIT	MM	CHECK	06 25 12	DWG. NAME	INSTALLATION DRAWING
SCALE	1:4	DESIGN	03 28 06	DWG. NO.	E1453609
EDITION	2	DR. BY	06 25 12 FANNY		A3
TPW HONG YUAN			 PAN WORLD CO.,LTD. パンワールド株式会社		