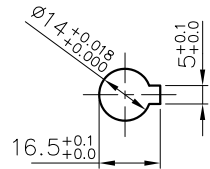
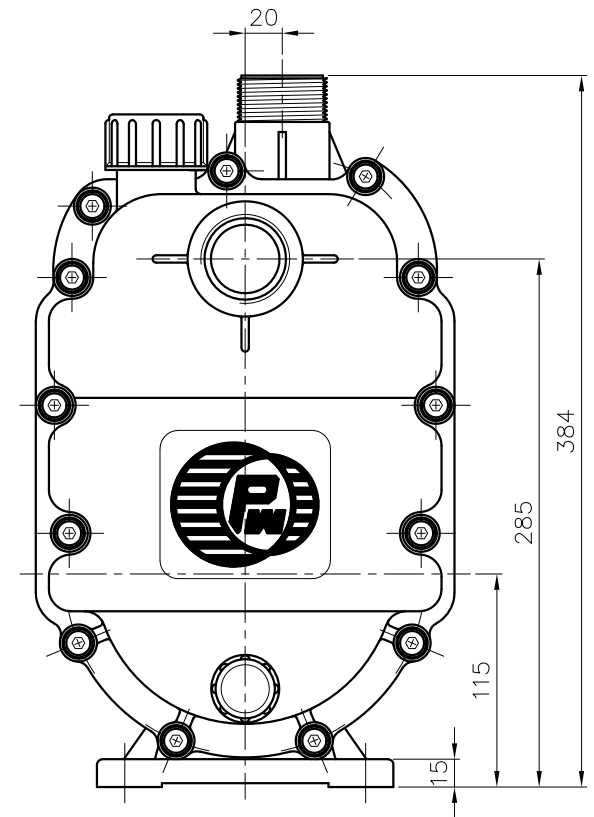
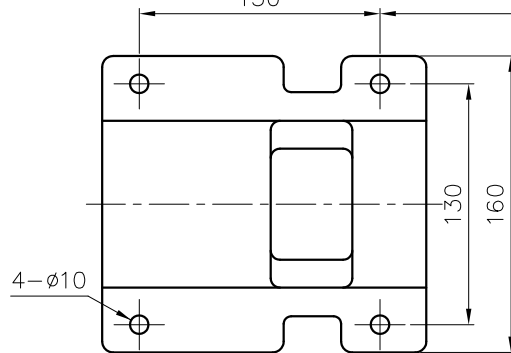


( L=30 )



SCALE = 1:2



DIMENSION TOLERANCE : JIS 16 CLASS

APPROVED		MDL. NAME		NH-401PW-N NH-401PW-N-K	
UNIT	MM	CHECK	06 25 12	DWG. NAME	
SCALE	7:20	DESIGN	03 17 06	INSTALLATION DRAWING	
EDITION	2	DR. BY	06 25 12 FANNY	DWG. NO.	E1413634
			A3		

TPW  
HONG YUAN



PAN WORLD CO.,LTD.  
パンワールド株式会社