

MB 180

HORIZONTAL CENTRIFUGAL PUMPS



Product designed and constructed in Italy

Constructed in Polypropylene or PVDF

Under head use

Weld-free

Can be used with fluids containing suspended solids

Extremely easy to operate and maintain

Suitable for continuous use

Available with:

- Mechanical bellows seal (new generation "Self-locking" system)

Aisi 304 spring - Seal ring in SILICON CARBIDE + CERAMIC / SILICON CARBIDE + SILICON CARBIDE

- Lip seal: VITON® or EPDM



MB PUMPS CODES ENCODING

e.g. MB080--P-TLVN
MB 80 PP, Viton® lip seal, three-phase motor.

MB80	P	TLV	N
PUMP MODEL	PUMP MATERIAL	SEAL TYPE	MOTOR
MB 080 - MB 80 MB 100 - MB 100 MB 110 - MB 110 MB 120 - MB 120 MB 130 - MB 130 MB 140 - MB 140 MB 150 - MB 150 MB 155 - MB 155 MB 160 - MB 160 MB 180 - MB 180	P - Polypropylene FC - PVDF+CF	TLV - Viton® lip seal TLD - EPDM lip seal TSV - Viton® bellows seal TSD - EPDM bellows seal	N* - Three-phase motor M - Single-phase motor A - ATEX S - Without Motor

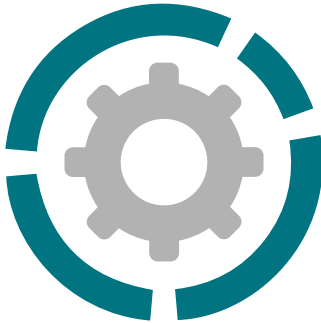
* Three-phase asynchronous eurotension motor fitted as standard (2 poles) 50Hz

MB 180

HORIZONTAL CENTRIFUGAL PUMPS



Specifications and types



Suction fittings	2" 1/2 f BSPP or DN 65
Delivery fittings	2" m BSPP or DN 50
Max flow rate	80 m ³ /h
Max head	43 m
Viscosity up to	500 cps
Standard open impeller	Ø 176mm H 15 mm -10° *
Passing solids	Ø max 9 mm

* Special versions are available on request for the fluid pumped

PP



Pump body construction materials, operating temperatures and net weight

Polypropylene (with glass filler)	9,9 Kg*
	Temp. -20°C min. +100°C max
PVDF (with carbon filler)	12,2 Kg*
	Temp. -20°C min. +100°C max

* Weights refer only to the pump without the motor

Standard electric motor:

Kw	11
HP	15
Casing	B3 + B5
RPM	2900
THREE-PHASE 400/690 V	
50/60 Hz	
2 poles	
Efficiency class	IE3
Protection	IP55
Ambient Temp.	-30°C + 45°C
Aluminium/Cast iron	
ATEX	on request

PVDF



MAIN APPLICATION SECTORS



CHEMICAL INDUSTRY



WATER AND SLUDGE
TREATMENT



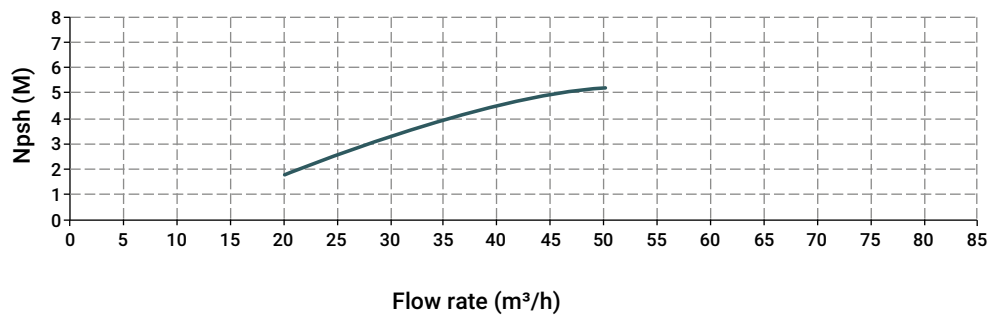
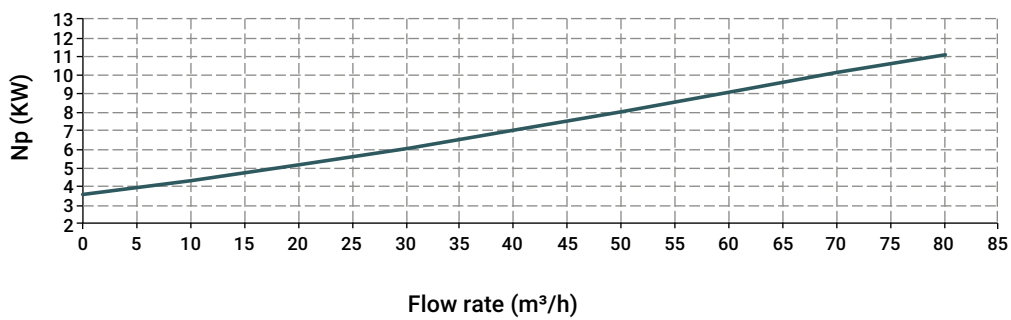
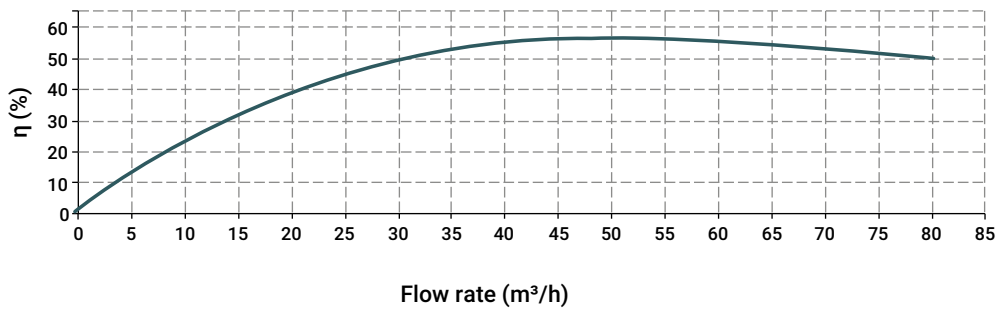
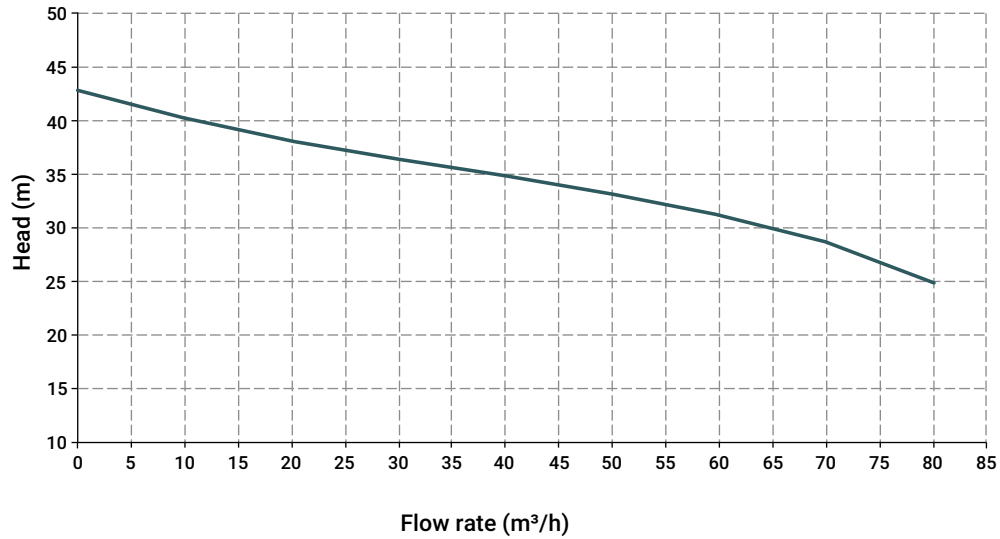
GALVANIC AND ELECTRONIC
INDUSTRY

MB 180

HORIZONTAL CENTRIFUGAL PUMPS



Specifications and types



The curves and performances refer to tested pumps, with water at 20 °C, two-pole motor 50 Hz (2900rpm).

MB 180

HORIZONTAL CENTRIFUGAL PUMPS

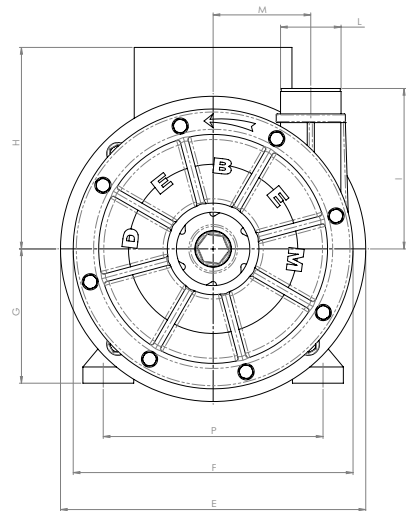
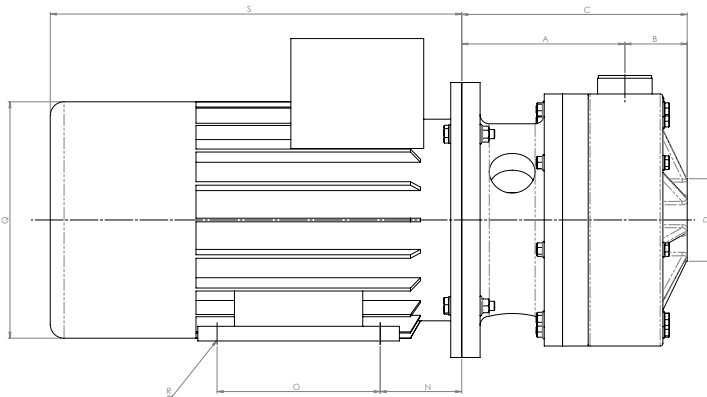


Specifications and types

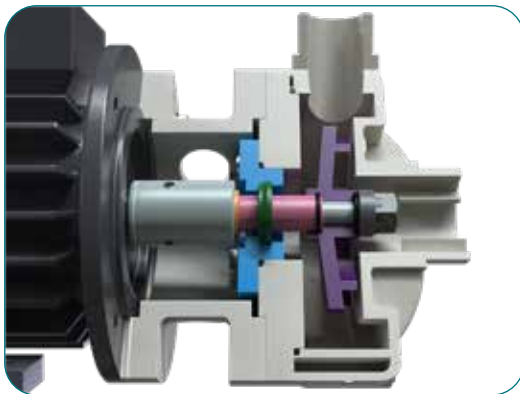
Length measurements in mm

MODEL	SEAL	POWER	Ø PASSING SOLIDS	A	B	C	D	E	F	G	H	I	L	M	N	O	P	Q	R	S*
MB180	TL - TS	11 KW - 15 HP	9	178	68	246	2"1/2 f (**) or DN 65	350	275	160	231	158	2" m (**) or DN 50	96	108	210	254	311	12	503

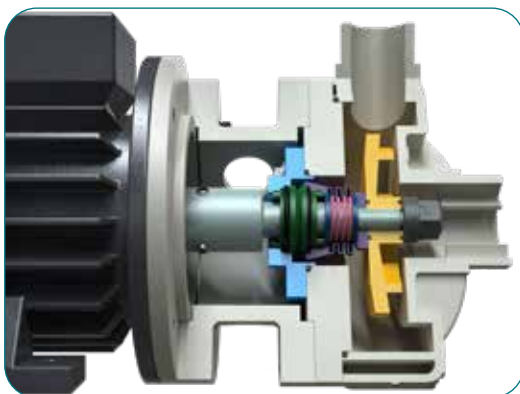
* Measurements may vary depending on the motor supplier.



TL = lip seal



TS = bellows seal



UNDER HEAD USE

Sealing O-ring materials:

- EPDM
- VITON®

Packaging:

- **Wooden case cm 81 x 40 x 56 - Weight 17 Kg**
(the weight refers only to the packaging without the pump inside)

Accessories:

- **FLANGE KIT (DIN standard - ANSI on request)**
- **Basket filter in Polypropylene or PVDF**