

MB 130

HORIZONTAL CENTRIFUGAL PUMPS



- Product designed and constructed in Italy
- Constructed in Polypropylene or PVDF
- Under head use
- Weld-free
- Can be used with fluids containing suspended solids
- Extremely easy to operate and maintain
- Suitable for continuous use
- Available with:

- Mechanical bellows seal (new generation "Self-locking" system)
Aisi 304 spring - Seal ring in SILICON CARBIDE + CERAMIC / SILICON CARBIDE + SILICON CARBIDE
- Lip seal: VITON® or EPDM



MB PUMPS CODES ENCODING

e.g. MB080--P-TLVN
MB 80 PP, Viton® lip seal, three-phase motor.

| MB80 | P | TLV | N |
|---|-----------------------------------|--|---|
| PUMP MODEL | PUMP MATERIAL | SEAL TYPE | MOTOR |
| MB 080 - MB 80 MB 100 - MB 100 MB 110 - MB 110 MB 120 - MB 120 MB 130 - MB 130 MB 140 - MB 140 MB 150 - MB 150 MB 155 - MB 155 MB 160 - MB 160 MB 180 - MB 180 | P - Polypropylene FC - PVDF+CF | TLV - Viton® lip seal TLD - EPDM lip seal TSV - Viton® bellows seal TSD - EPDM bellows seal | N* - Three-phase motor M - Single-phase motor A - ATEX S - Without Motor |

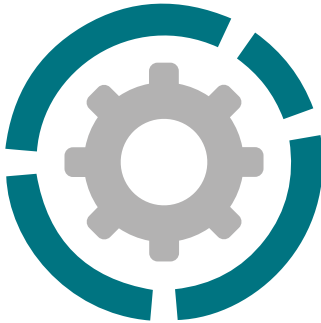
* Three-phase asynchronous eurotension motor fitted as standard (2 poles) 50Hz

MB 130

HORIZONTAL CENTRIFUGAL PUMPS



Specifications and types



| | |
|------------------------|------------------------|
| Suction fittings | 2" m BSPP or DN 50 |
| Delivery fittings | 1 1/2" m BSPP or DN 40 |
| Max flow rate | 30 m ³ /h |
| Max head | 22 m |
| Viscosity up to | 500 cps |
| Standard open impeller | Ø 130 mm H 8 mm * |
| Passing solids | Ø max 6 mm |

* Special versions are available on request for the fluid pumped

PP



Pump body construction materials, operating temperatures and net weight

| | |
|-----------------------------------|--------------------------------|
| Polypropylene (with glass filler) | 3,8 Kg* |
| | Temp. -20°C min. +100°C max |
| PVDF (with carbon filler) | 4,9 Kg* |
| | Temp. -20°C min. +100°C max |

* Weights refer only to the pump without the motor

Standard electric motor:

| | |
|-----------------------|--------------|
| Kw | 2,2 |
| HP | 3 |
| Casing | B3 + B5 |
| RPM | 2900 / 3600 |
| THREE-PHASE 230/400 V | |
| 50/60 Hz | |
| 2 poles | |
| Efficiency class | IE3 |
| Protection | IP55 |
| Ambient Temp. | -30°C + 45°C |
| Aluminium/Cast iron | |
| SINGLE-PHASE | on request |
| ATEX | on request |

PVDF



MAIN APPLICATION SECTORS



CHEMICAL INDUSTRY



WATER AND SLUDGE
TREATMENT



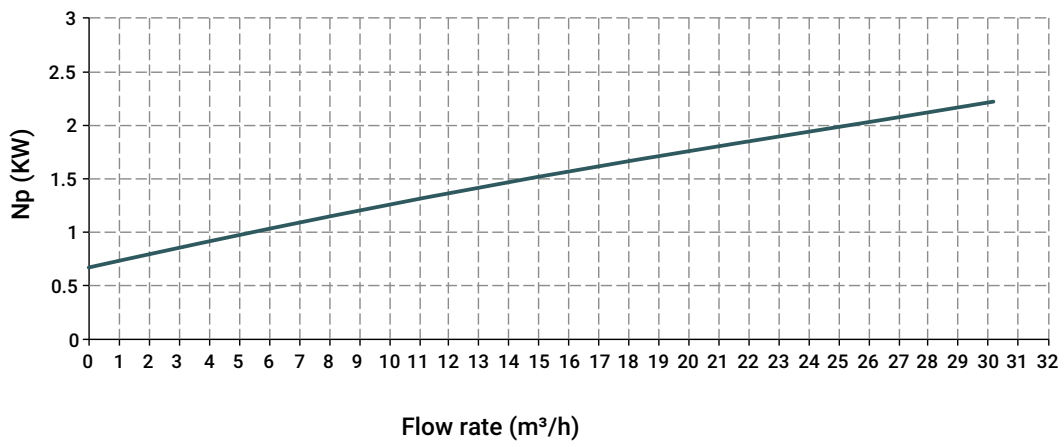
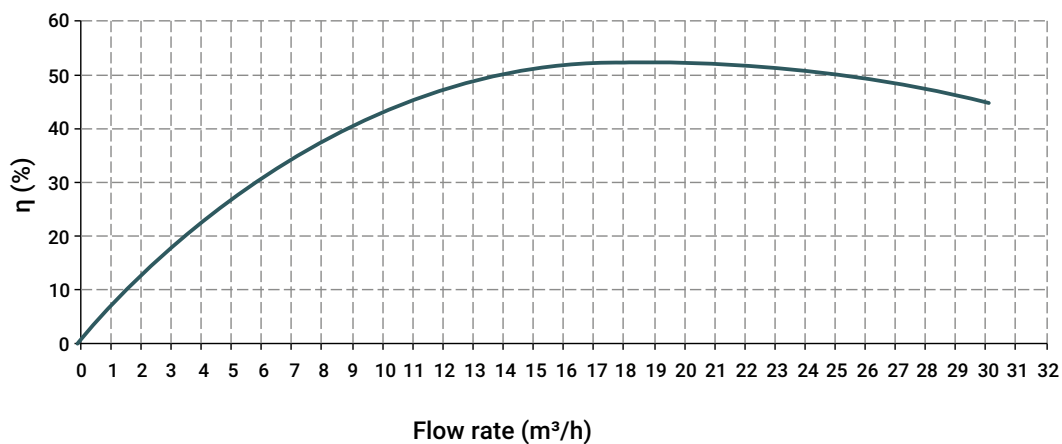
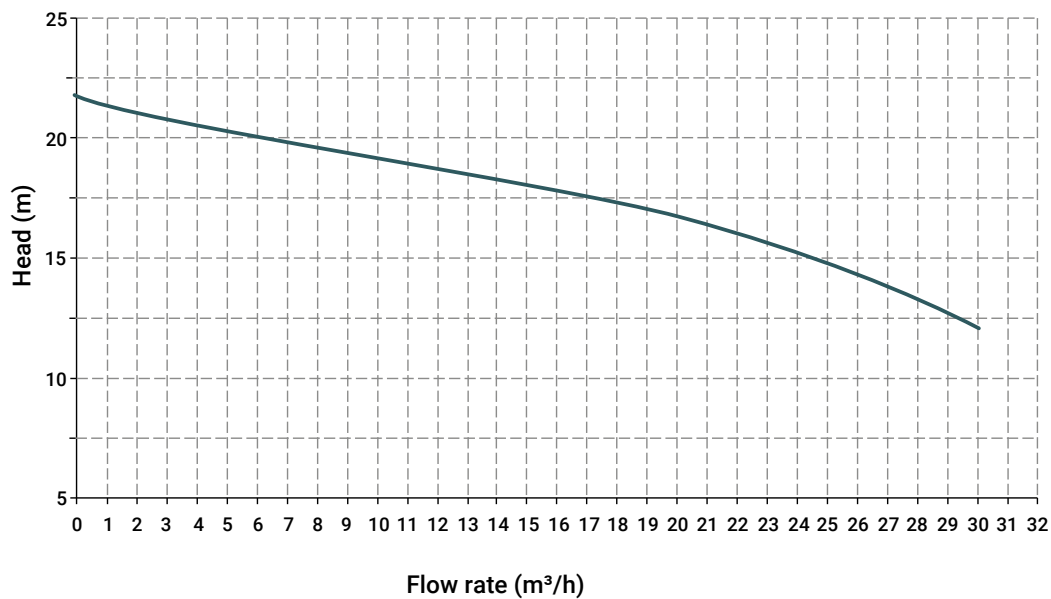
GALVANIC AND ELECTRONIC
INDUSTRY

MB 130

HORIZONTAL CENTRIFUGAL PUMPS



Specifications and types



The curves and performances refer to tested pumps, with water at 20 °C, two-pole motor 50 Hz (2900rpm).

MB 130

HORIZONTAL CENTRIFUGAL PUMPS



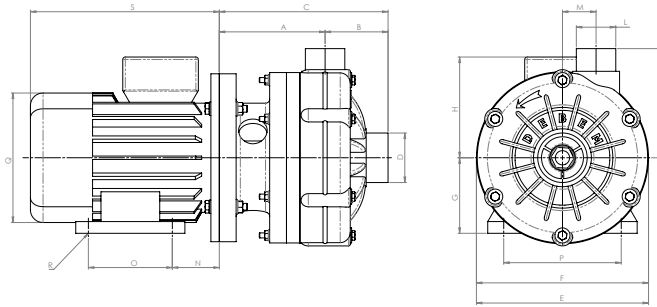
Specifications and types

Length measurements in mm

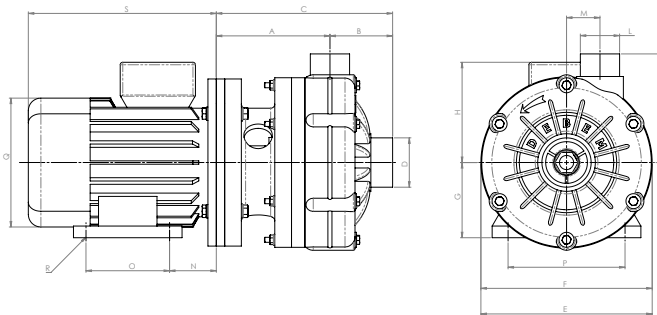
| MODEL | SEAL | POWER | Ø PASSING SOLIDS | A | B | C | D | E | F | G | H | I | L | M | N | O | P | Q | R | S* |
|-------|------|---------------|------------------|-----|----|-----|-------------------|-----|-----|----|-----|-----|--------------------------|----|----|-----|-----|-----|----|-----|
| MB130 | TL | 1,5 KW - 2 HP | 6 | 126 | 75 | 201 | 2" m(**) or DN 50 | 200 | 203 | 90 | 138 | 130 | 1"1/2 m (**) or DN 40 | 40 | 56 | 100 | 140 | 167 | 10 | 250 |
| MB130 | TS | 1,5 KW - 2 HP | 6 | 136 | 75 | 211 | 2" m(**) or DN 50 | 200 | 203 | 90 | 138 | 130 | 1"1/2 m (**) or DN 40 | 40 | 56 | 100 | 140 | 167 | 10 | 250 |

* Measurements may vary depending on the motor supplier.

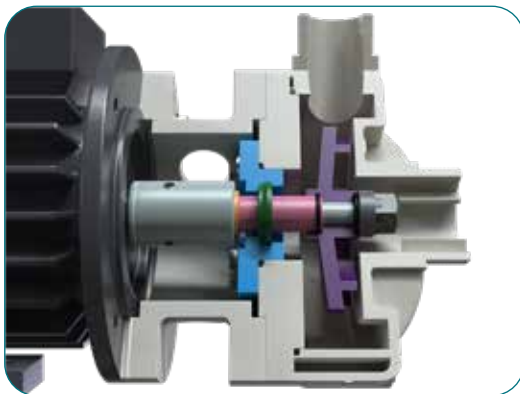
TL



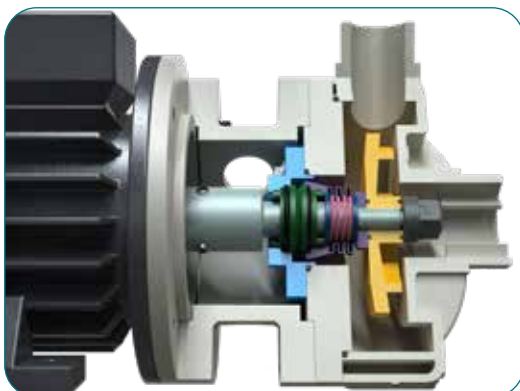
TS



TL = lip seal



TS = bellows seal



UNDER HEAD USE

Sealing O-ring materials:

- EPDM
- VITON®

Packaging:

- **Wooden case cm 61 x 28 x 42 - Weight 10 Kg**
(the weight refers only to the packaging without the pump inside)

Accessories:

- **FLANGE KIT (DIN standard - ANSI on request)**
- **Basket filter in Polypropylene or PVDF**