

# MB 110

## HORIZONTAL CENTRIFUGAL PUMPS



Product designed and constructed in Italy

Constructed in Polypropylene or PVDF

Under head use

Weld-free

Can be used with fluids containing suspended solids

Extremely easy to operate and maintain

Suitable for continuous use

Available with:

- Mechanical bellows seal (new generation "Self-locking" system)

Aisi 304 spring - Seal ring in SILICON CARBIDE + CERAMIC / SILICON CARBIDE + SILICON CARBIDE

- Lip seal: VITON® or EPDM



## MB PUMPS CODES ENCODING

e.g. MB080--P-TLVN  
MB 80 PP, Viton® lip seal, three-phase motor.

MB80	P	TLV	N
PUMP MODEL	PUMP MATERIAL	SEAL TYPE	MOTOR
MB 080 - MB 80 MB 100 - MB 100 MB 110 - MB 110 MB 120 - MB 120 MB 130 - MB 130 MB 140 - MB 140 MB 150 - MB 150 MB 155 - MB 155 MB 160 - MB 160 MB 180 - MB 180	P - Polypropylene FC - PVDF+CF	TLV - Viton® lip seal TLD - EPDM lip seal TSV - Viton® bellows seal TSD - EPDM bellows seal	N* - Three-phase motor M - Single-phase motor A - ATEX S - Without Motor

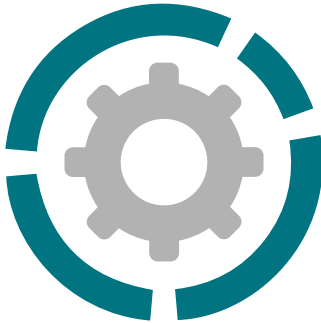
\* Three-phase asynchronous eurotension motor fitted as standard [2 poles] 50Hz

# MB 110

HORIZONTAL CENTRIFUGAL PUMPS



## Specifications and types



Suction fittings	2" m BSPP or DN 50
Delivery fittings	1 1/2" m BSPP or DN 40
Max flow rate	18 m <sup>3</sup> /h
Max head	16 m
Viscosity up to	500 cps
Standard open impeller	Ø 130 mm H 4 mm *
Passing solids	Ø max 2 mm

\* Special versions are available on request for the fluid pumped

PP



### Pump body construction materials, operating temperatures and net weight

Polypropylene (with glass filler)	3,4 Kg*
	Temp. -20°C min. +100°C max
PVDF (with carbon filler)	4,3 Kg*
	Temp. -20°C min. +100°C max

\* Weights refer only to the pump without the motor

### Standard electric motor:

Kw	1,1
HP	1,5
Casing	B3 + B5
RPM	2900 / 3600
THREE-PHASE 230/400 V	
50/60 Hz	
2 poles	
Efficiency class	IE3
Protection	IP55
Ambient Temp.	-30°C + 45°C
Aluminium/Cast iron	
SINGLE-PHASE	on request
ATEX	on request

PVDF



### MAIN APPLICATION SECTORS



AUTOMOTIVE



CHEMICAL INDUSTRY



WATER AND SLUDGE  
TREATMENT



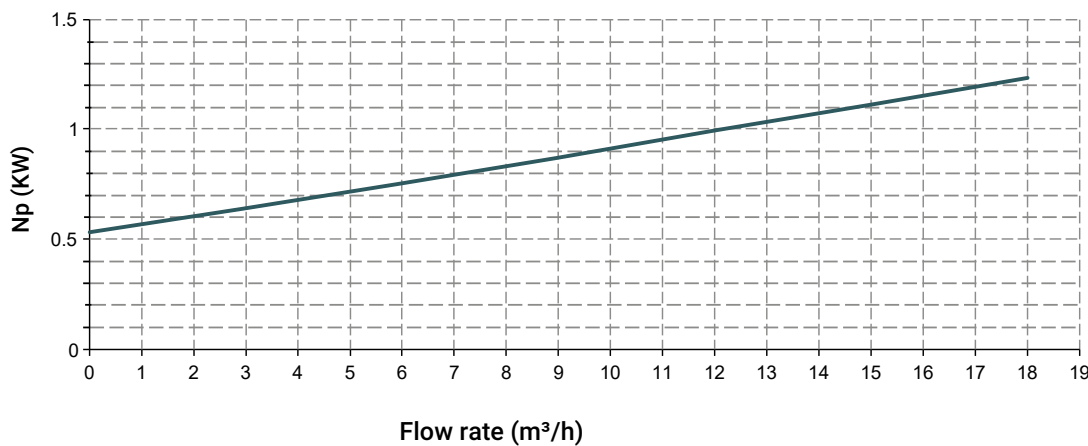
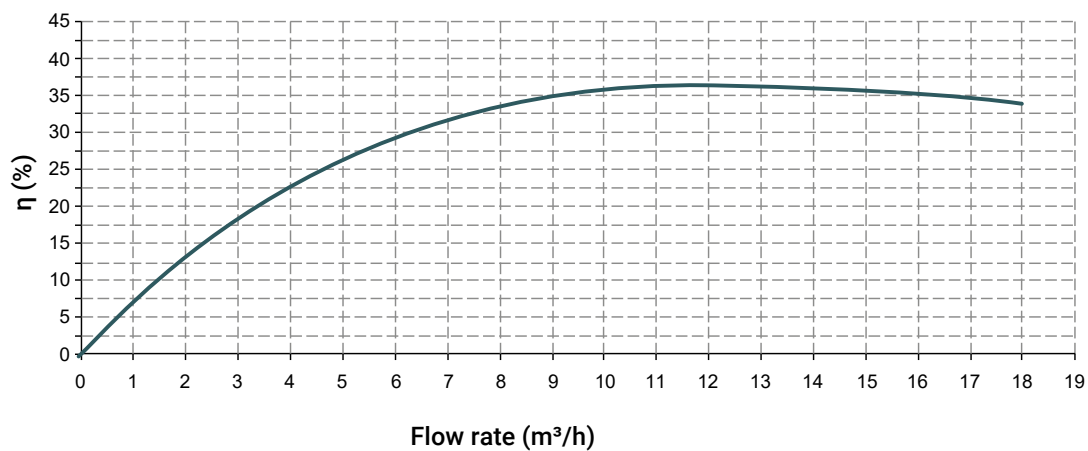
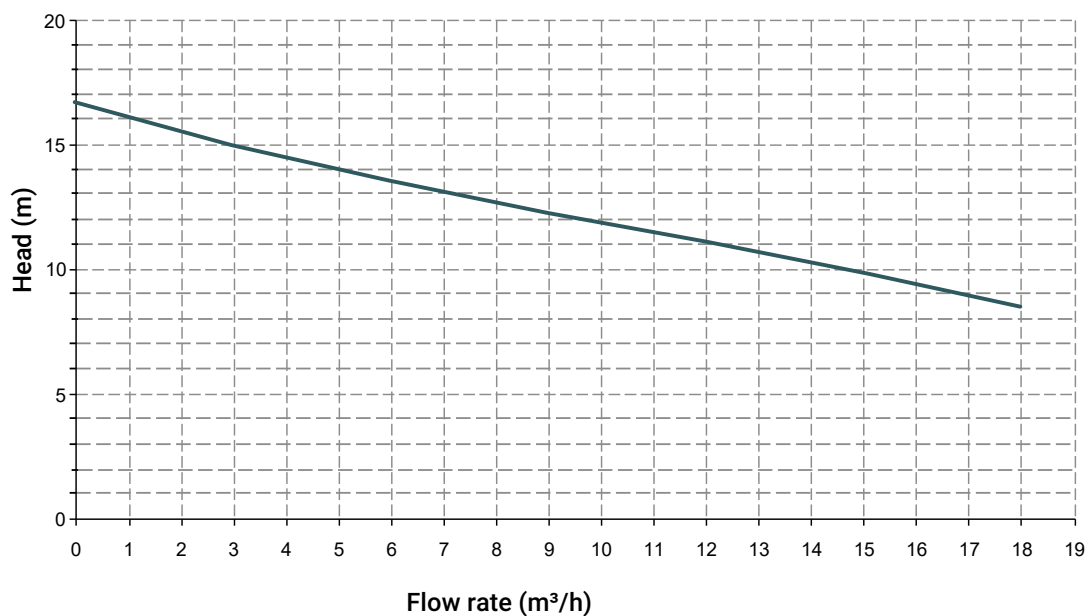
GALVANIC AND ELECTRONIC  
INDUSTRY

# MB 110

HORIZONTAL CENTRIFUGAL PUMPS



## Specifications and types



The curves and performances refer to tested pumps, with water at 20 °C, two-pole motor 50 Hz (2900rpm).

# MB 110

## HORIZONTAL CENTRIFUGAL PUMPS

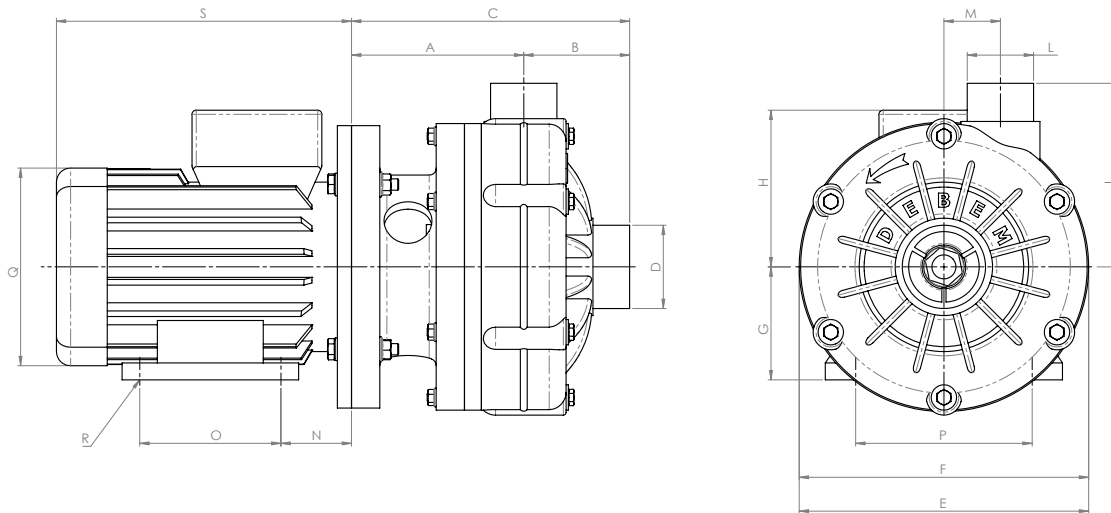


### Specifications and types

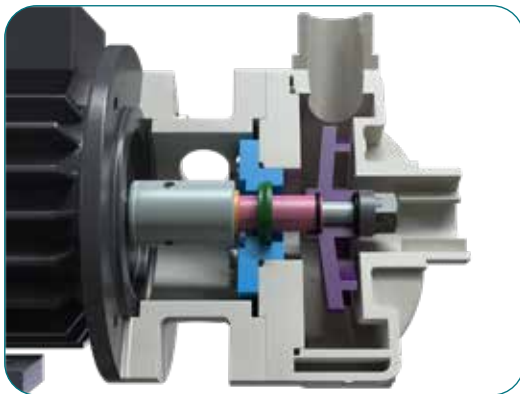
Length measurements in mm

MODEL	SEAL	POWER	Ø PASSING SOLIDS	A	B	C	D	E	F	G	H	I	L	M	N	O	P	Q	R	S*
MB110	TL - TS	0,75 KW - 1 HP	2	122	75	197	2" m(**) or DN 50	200	203	80	135	130	1"1/2 m (**) or DN 40	40	50	100	125	158	10	230

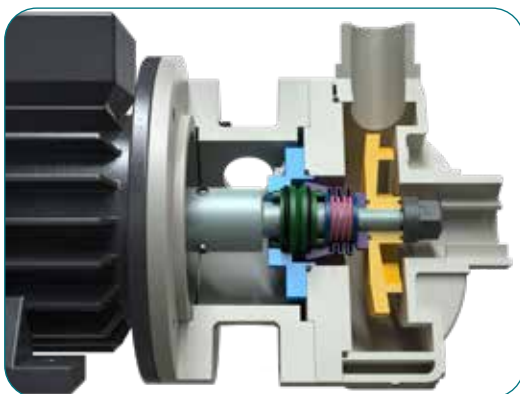
\* Measurements may vary depending on the motor supplier.



TL = lip seal



TS = bellows seal



UNDER HEAD USE

#### Sealing O-ring materials:

- EPDM
- VITON®

#### Packaging:

- **Wooden case cm 55 x 28 x 42 - Weight 10 Kg**  
(the weight refers only to the packaging without the pump inside)

#### Accessories:

- **FLANGE KIT (DIN standard - ANSI on request)**
- **Basket filter in Polypropylene or PVDF**