

IM 200

VERTICAL CENTRIFUGAL PUMPS



- Product designed and constructed in Italy
- Constructed in Polypropylene or PVDF
- Normalised electric motor
- Support lantern and connection between pump and motor via elastic coupling
- Can be used with fluids containing suspended solids
- Suitable for continuous use



IM PUMPS CODES ENCODING

ex.IM140P-V-0800-N
IM140 PP, Viton® O-Ring, column height 800 mm, three-phase motor

IM140	P	V	0800	N
PUMP MODEL	PUMP MATERIAL	O-RING	COLUMN HEIGHT	MOTOR
IM 080 - IM 80 IM 090 - IM 90 IM 095 - IM 95 IM 110 - IM 110 IM 120 - IM 120 IM 130 - IM 130 IM 140 - IM 140 IM 150 - IM 150 IM 155 - IM 155 IM 160 - IM 160 IM 180 - IM 180 IM 200 - IM 200	P - Polypropylene FC - PVDF+CF	D - EPDM V - Viton®	0250 - 250 mm 0500 - 500 mm 0800 - 800 mm 1000 - 1000 mm 1250 - 1250 mm	N* - Three-phase M - Single-phase A - ATEX S - Without Motor

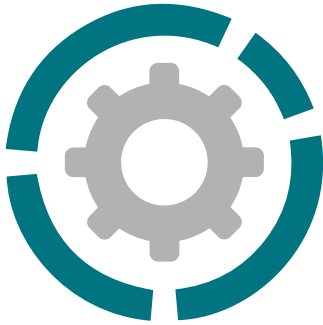
* Three-phase asynchronous eurotension motor fitted as standard (2 poles) 50Hz

IM 200

VERTICAL CENTRIFUGAL PUMPS



Specifications and types



Suction fittings	DN 102 (threadable on request)
Delivery fittings	3" m BSPP or DN 80 on request
Max flow rate	170 m ³ /h
Max he	46 m
Viscosity up to	500 cps
Standard open impeller	Ø 200 mm H 18,4 mm *
Passing solids	Ø max 15 mm
Column length available (mm)	600 / 800 / 1000

* Special versions are available on request for the fluid pumped



PP

Standard electric motor:

Kw	15-18,5
HP	20,8-25
Casing	B5
RPM	2900

THREE-PHASE 400/690 V

50/60 Hz

2 poles

Efficiency class IE3

Protection IP55

Ambient Temp. -30°C + 45°C

Aluminium/Cast iron on request

ATEX on request

STD Column length	Weight	Weight PP
600 mm		62 kg
800 mm		65 kg
1000 mm		67 kg

MAIN APPLICATION SECTORS



CHEMICAL
INDUSTRY



WATER AND SLUDGE
TREATMENT



GALVANIC AND ELECTRONIC
INDUSTRY

Operating temperatures:

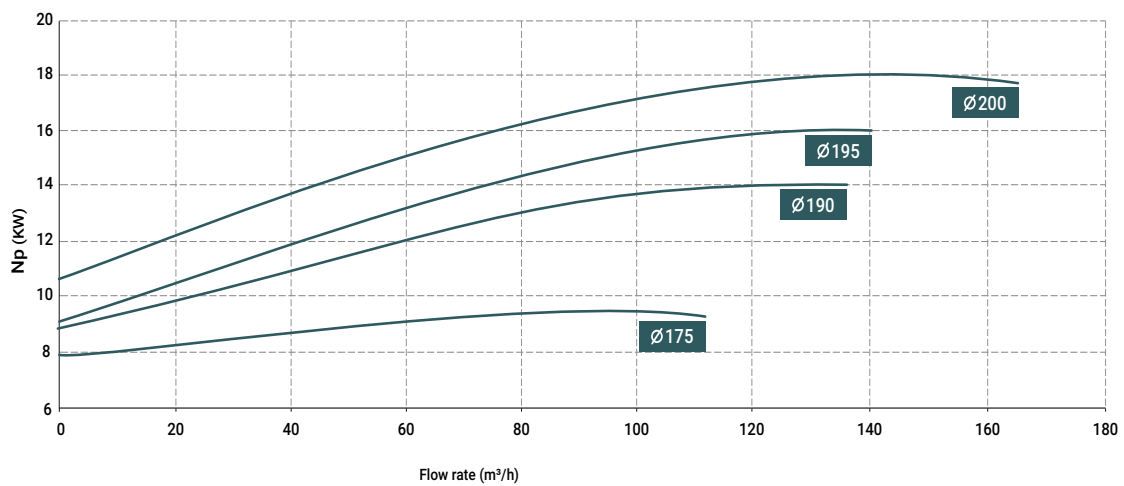
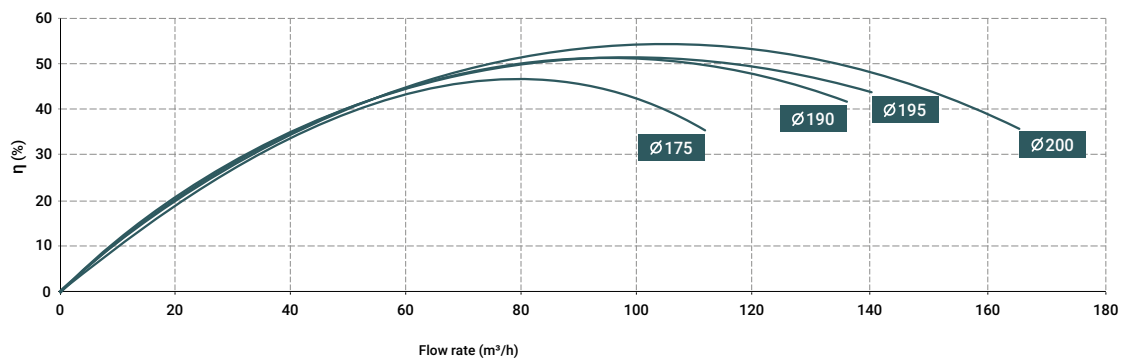
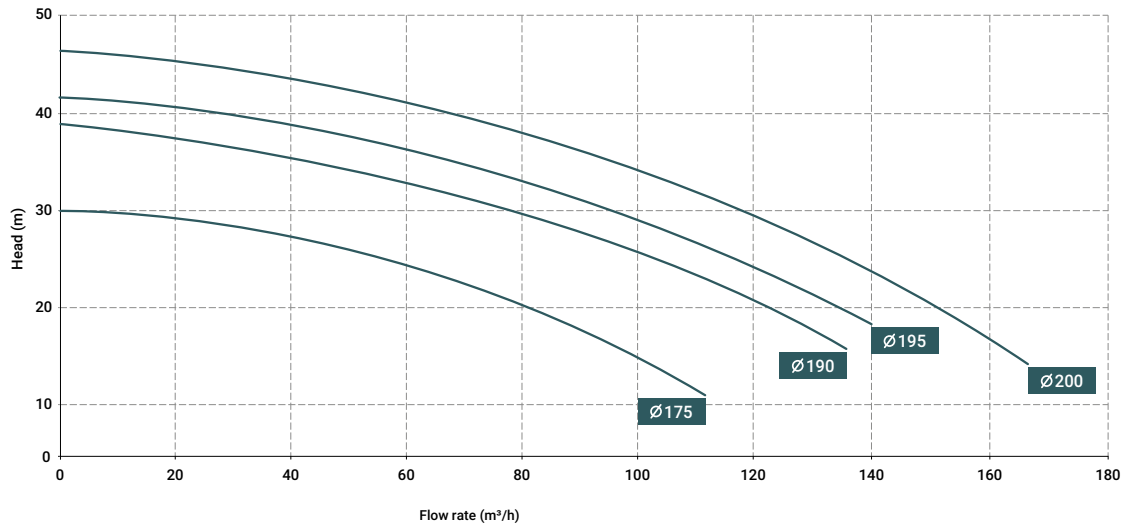
PP from -20°C to + 100°C

IM 200

VERTICAL CENTRIFUGAL PUMPS



Specifications and types



The curves and performances refer to tested pumps, with water at 20 °C, two-pole motor 50 Hz (2900rpm).

IM 200

VERTICAL CENTRIFUGAL PUMPS



Specifications and types

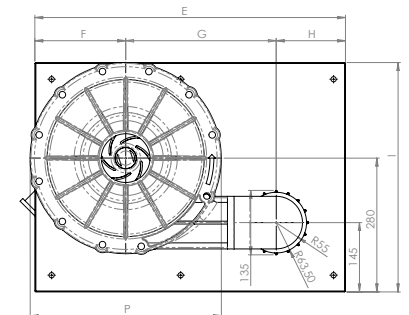
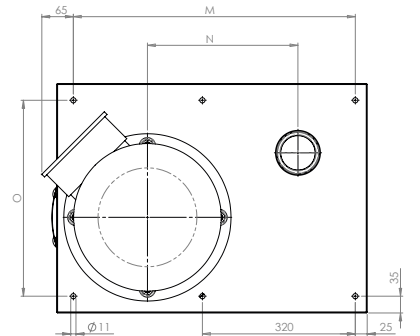
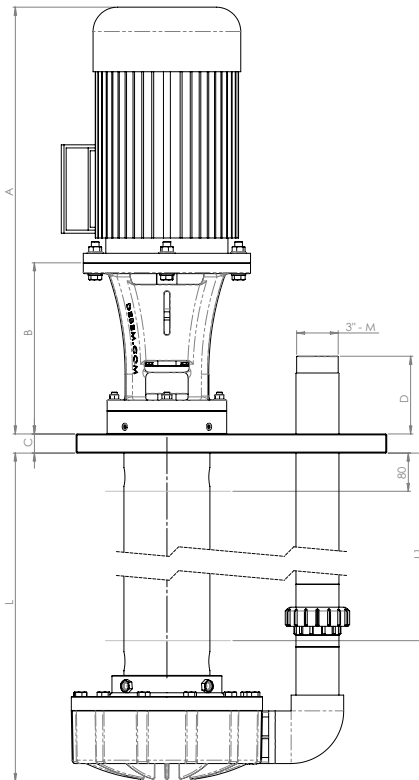
Length measurements in mm

MODEL	POWER	Ø PASSING SOLIDS	SOVEM ENGINE: A-B	A*	B	C	D	E	F	G	H	I	M	N	O	P	MOTOR WEIGHT [kg]*
IM200	18,5 Kw - 25 HP	15	455	813	358	40	163	650	190	315	145	480	590	315	410	400	118

* Measurements may vary depending on the motor supplier.

L [mm]	L1 [mm]
600	320
800	520
1000	720
80 mm - Max Fluid Level	

Pump	Motor power
IM 80	0.37 Kw - 0.5 HP
IM 90	0.55 Kw - 0.75 HP
IM 95	0.75 Kw - 1 HP
IM 110	1.1 Kw - 1.5 HP
IM 120	1.5 Kw - 2 HP
IM 130	2.2 Kw - 3 HP
IM 140	3 Kw - 4 HP
IM 150	4 Kw - 5.5 HP
IM 155	5.5 Kw - 7.5 HP
IM 160	7.5 Kw - 10 HP
IM 180	11 Kw - 15 HP
IM 200	18,5 Kw - 25 HP



TANK USE

Seal o-ring materials:

- EPDM
- VITON®

Packaging:

wooden cage - dimensions and weights vary depending on the length of the pump

Accessories:

- FLANGE KIT (DIN standard - ANSI on request)
- Customisable fixing plate only at the design stage