

IM 180

VERTICAL CENTRIFUGAL PUMPS



DEBEM
MADE IN ITALY



- Product designed and constructed in Italy
- Constructed in Polypropylene or PVDF
- Normalised electric motor
- Support lantern and connection between pump and motor via elastic coupling
- Can be used with fluids containing suspended solids
- Suitable for continuous use



CE

IM PUMPS CODES ENCODING

ex.IM140P-V-0800-N
IM140 PP, Viton® O-Ring, column height 800 mm, three-phase motor

IM140	P	V	0800	N
PUMP MODEL	PUMP MATERIAL	O-RING	COLUMN HEIGHT	MOTOR
IM 080 - IM 80 IM 090 - IM 90 IM 095 - IM 95 IM 110 - IM 110 IM 120 - IM 120 IM 130 - IM 130 IM 140 - IM 140 IM 150 - IM 150 IM 155 - IM 155 IM 160 - IM 160 IM 180 - IM 180 IM 200 - IM 200	P - Polypropylene FC - PVDF+CF	D - EPDM V - Viton®	0250 - 250 mm 0500 - 500 mm 0800 - 800 mm 1000 - 1000 mm 1250 - 1250 mm	N* - Three-phase M - Single-phase A - ATEX S - Without Motor

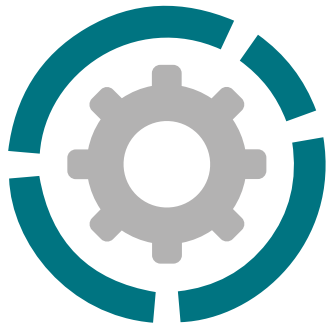
* Three-phase asynchronous eurotension motor fitted as standard (2 poles) 50Hz

IM 180

VERTICAL CENTRIFUGAL PUMPS



Specifications and types



Suction fittings	2" 1/2 f BSPP or DN 65 on request
Delivery fittings	2" m BSPP or DN 50 on request
Max flow rate	75 m ³ /h
Max head	38 m
Viscosity up to	500 cps
Standard open impeller	Ø 176 mm H 13 mm -10° *
Passing solids	Ø max 11 mm

* Special versions are available on request for the fluid pumped

PP



PVDF



Standard electric motor:

Kw	11
HP	15
Casing	B5
RPM	2900
THREE-PHASE 400/690 V	
50/60 Hz	
2 poles	
Efficiency class	IE3
Protection	IP55
Ambient Temp.	-30°C + 45°C
Aluminium/Cast iron	
ATEX	on request

STD Column length	Weight PP*	Weight PVDF*
500 mm	31 Kg	33 Kg
800 mm	34 Kg	36 Kg
1000 mm	36 Kg	38 Kg
1250 mm	39 Kg	41 Kg

* The weights refer only to the pump without the motor

NB: Special construction available only on request with column length from min. 400 mm to max. 1400 mm

MAIN APPLICATION SECTORS



CHEMICAL
INDUSTRY



WATER AND SLUDGE
TREATMENT



GALVANIC AND ELECTRONIC
INDUSTRY



MECHANICAL AND
METALLURGIC
INDUSTRY

Operating temperatures:

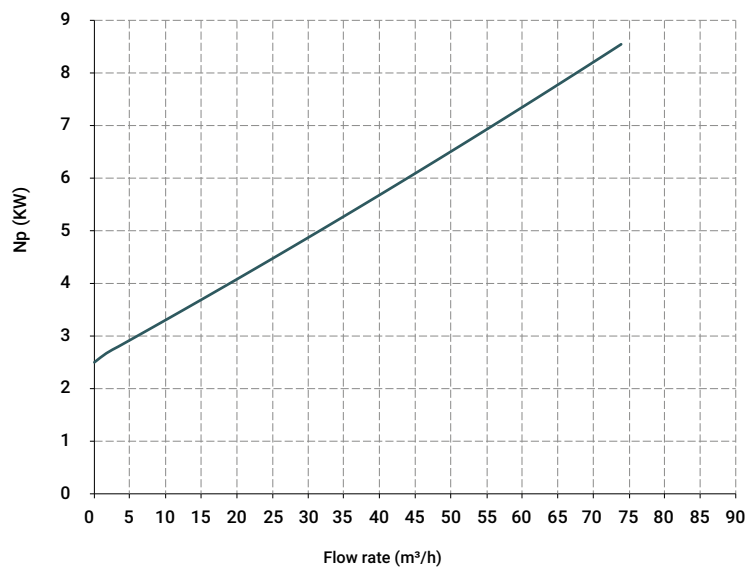
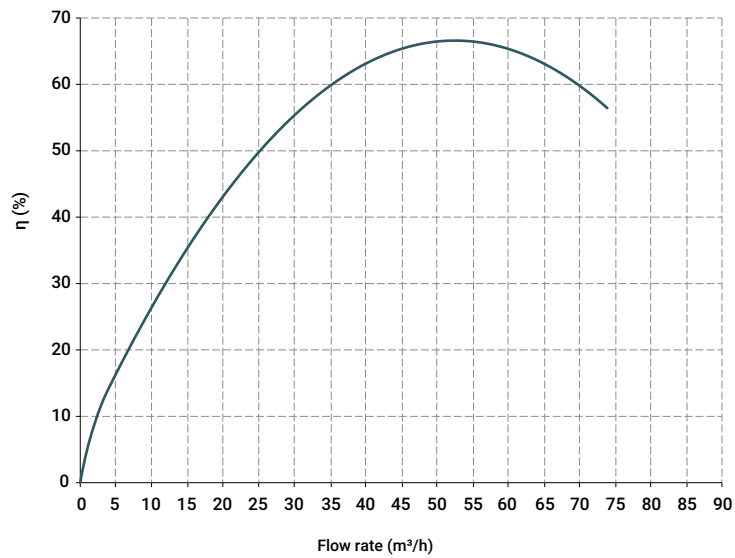
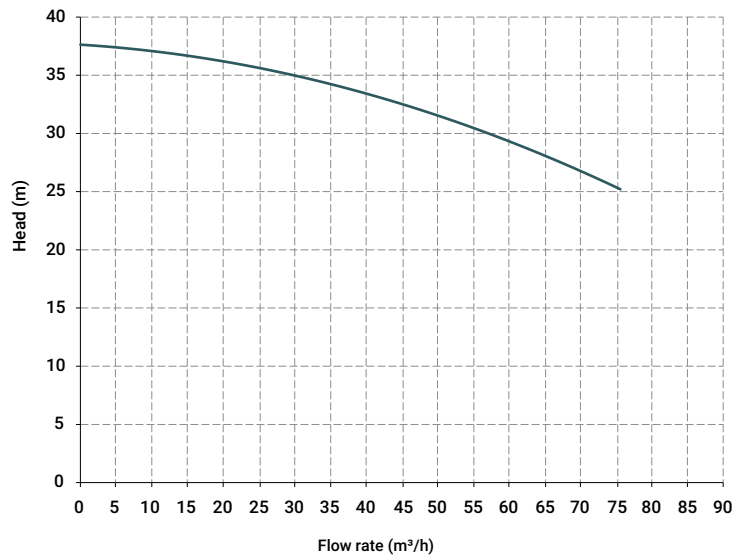
PP	from -20°C to + 100°C
PVDF	from -20°C to + 100°C

IM 180

VERTICAL CENTRIFUGAL PUMPS



Specifications and types



The curves and performances refer to tested pumps, with water at 20 °C, two-pole motor 50 Hz (2900rpm).

IM 180

VERTICAL CENTRIFUGAL PUMPS



Specifications and types

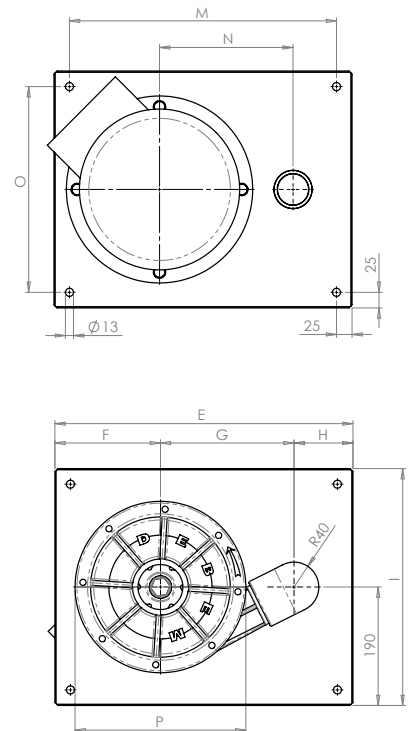
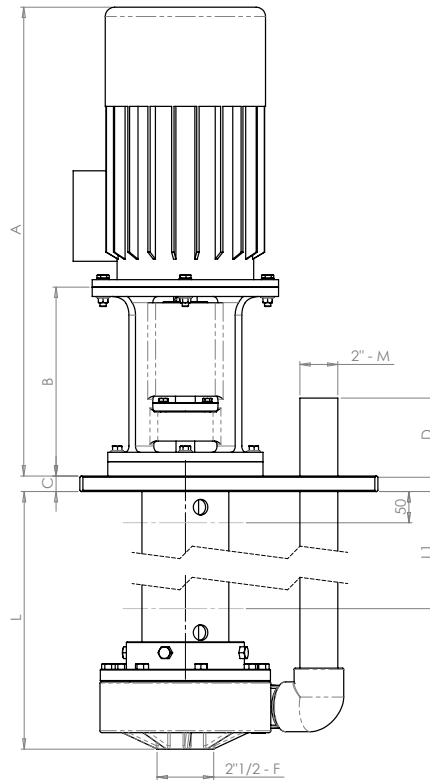
Length measurements in mm

MODEL	POWER	Ø PASSING SOLIDS	SOVEM ENGINE: A-B	A*	B	C	D	E	F	G	H	I	M	N	O	P	MOTOR WEIGHT [kg]*
IM180	11 Kw - 15 HP	11	503	806	303	25	130	480	170	215	95	380	430	215	330	275	99

* Measurements may vary depending on the motor supplier.

L [mm]	L1 [mm]
500	300
800	600
1000	800
1250	1050
50 mm - Max Fluid Level	

Pump	Motor power
IM 80	0.37 Kw - 0.5 HP
IM 90	0.55 Kw - 0.75 HP
IM 95	0.75 Kw - 1 HP
IM 110	1.1 Kw - 1.5 HP
IM 120	1.5 Kw - 2 HP
IM 130	2.2 Kw - 3 HP
IM 140	3 Kw - 4 HP
IM 150	4 Kw - 5.5 HP
IM 155	5.5 Kw - 7.5 HP
IM 160	7.5 Kw - 10 HP
IM 180	11 Kw - 15 HP
IM 200	18,5 Kw - 25 HP



TANK USE

Seal o-ring materials:

- EPDM
- VITON®

Packaging:

wooden cage - dimensions and weights vary depending on the length of the pump

Accessories:

- FLANGE KIT (DIN standard - ANSI on request)
- PP pump protection filter* (*Filter sold separately)
- PVDF pump protection filter* (*Filter sold separately)
- Customisable fixing plate only at the design stage