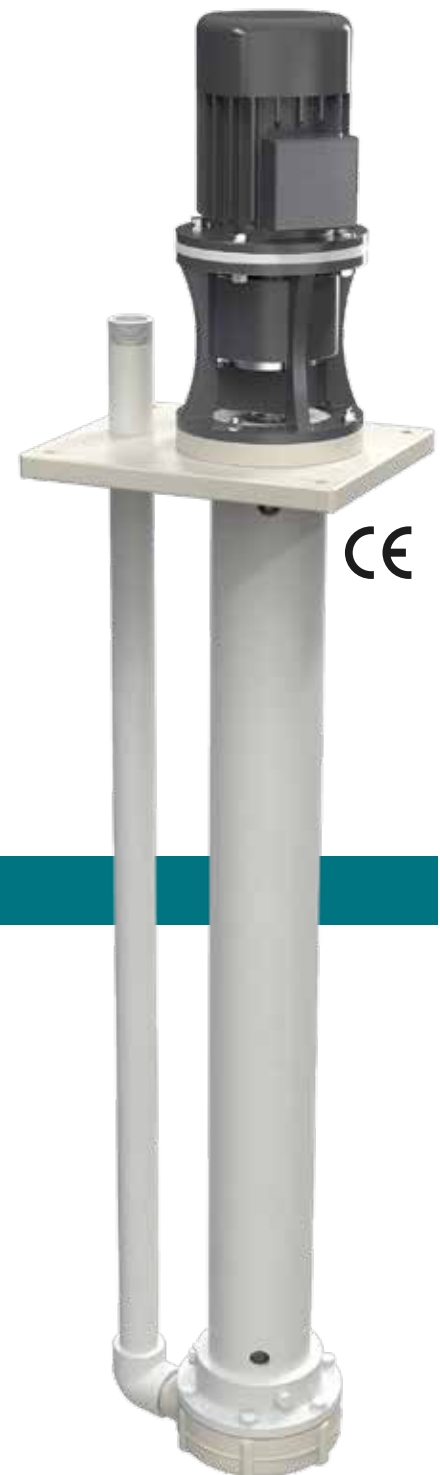


# IM 120

## VERTICAL CENTRIFUGAL PUMPS



- Product designed and constructed in Italy
- Constructed in Polypropylene or PVDF
- Normalised electric motor
- Support lantern and connection between pump and motor via elastic coupling
- Can be used with fluids containing suspended solids
- Suitable for continuous use



## IM PUMPS CODES ENCODING

ex.IM140P-V-0800-N  
IM140 PP, Viton® O-Ring, column height 800 mm, three-phase motor

IM140	P	V	0800	N
PUMP MODEL	PUMP MATERIAL	O-RING	COLUMN HEIGHT	MOTOR
IM 080 - IM 80 IM 090 - IM 90 IM 095 - IM 95 IM 110 - IM 110 IM 120 - IM 120 IM 130 - IM 130 IM 140 - IM 140 IM 150 - IM 150 IM 155 - IM 155 IM 160 - IM 160 IM 180 - IM 180 IM 200 - IM 200	P - Polypropylene FC - PVDF+CF	D - EPDM V - Viton®	0250 - 250 mm 0500 - 500 mm 0800 - 800 mm 1000 - 1000 mm 1250 - 1250 mm	N* - Three-phase M - Single-phase A - ATEX S - Without Motor

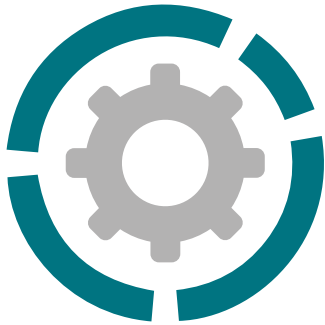
\* Three-phase asynchronous eurotension motor fitted as standard (2 poles) 50Hz

# IM 120

## VERTICAL CENTRIFUGAL PUMPS



### Specifications and types



Suction fittings	2" m BSPP or DN 50 on request
Delivery fittings	1"1/2 m BSPP or DN 40 on request
Max flow rate	25 m <sup>3</sup> /h
Max head	15,5 m
Viscosity up to	500 cps
Standard open impeller	Ø 125 mm H 8 mm *
Passing solids	Ø max 6 mm

\* Special versions are available on request for the fluid pumped

PP



PVDF



#### Standard electric motor:

Kw	1,5
HP	2
Casing	B5
RPM	2900
THREE-PHASE 230/400 V	
50/60 Hz	
2 poles	
Efficiency class	IE3
Protection	IP55
Ambient Temp.	-30°C + 45°C
Aluminium/Cast iron	
SINGLE-PHASE	on request
ATEX	on request

STD Column length	Weight PP*	Weight PVDF*
500 mm	15 Kg	16 Kg
800 mm	19 Kg	20 Kg
1000 mm	22 Kg	23 Kg
1250 mm	24 Kg	25 Kg

\* The weights refer only to the pump without the motor

NB: Special construction available only on request with column length from min. 350 mm to max. 1400 mm

#### MAIN APPLICATION SECTORS



CHEMICAL  
INDUSTRY



WATER AND SLUDGE  
TREATMENT



GALVANIC AND ELECTRONIC  
INDUSTRY

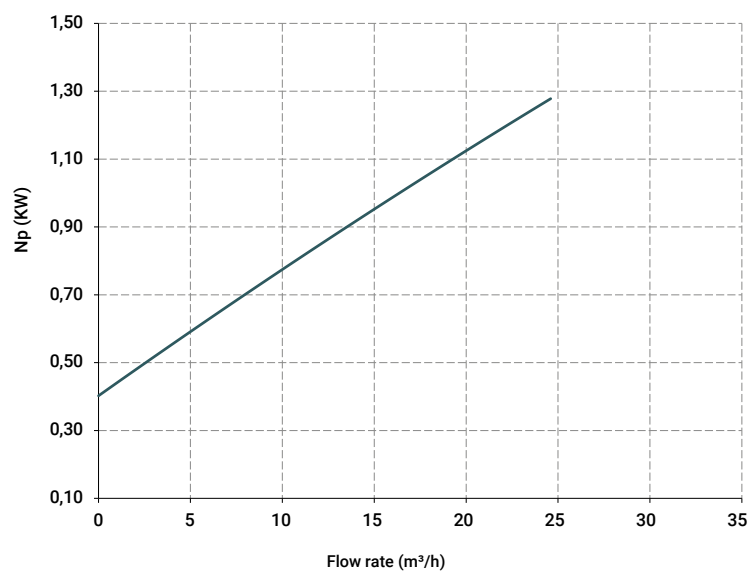
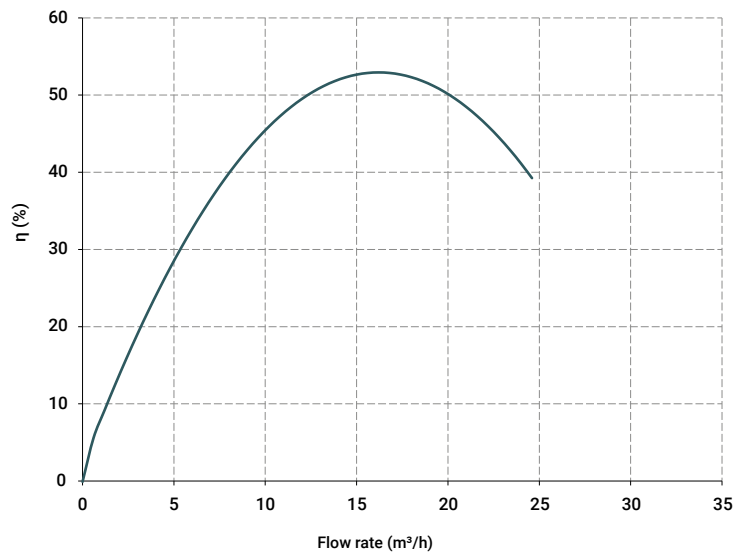
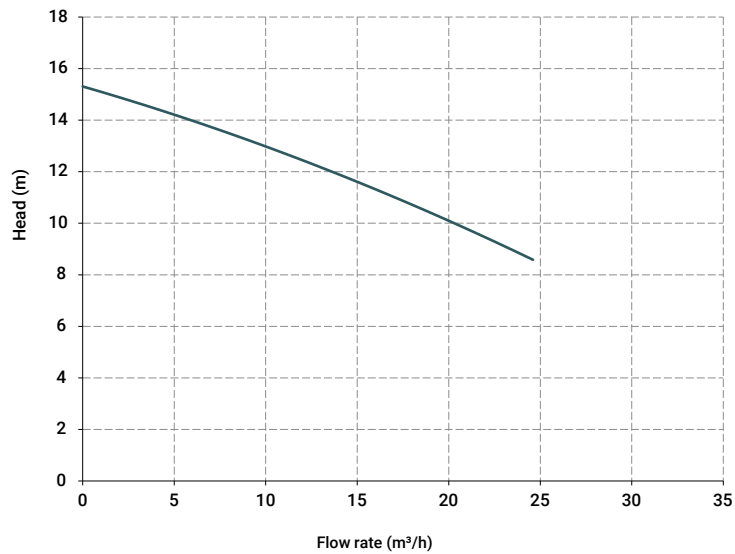


GOLD  
PROCESSING  
INDUSTRY

#### Operating temperatures:

PP	from -20°C to + 100°C
PVDF	from -20°C to + 100°C

### Specifications and types



The curves and performances refer to tested pumps, with water at 20 °C, two-pole motor 50 Hz (2900rpm).

# IM 120

## VERTICAL CENTRIFUGAL PUMPS



### Specifications and types

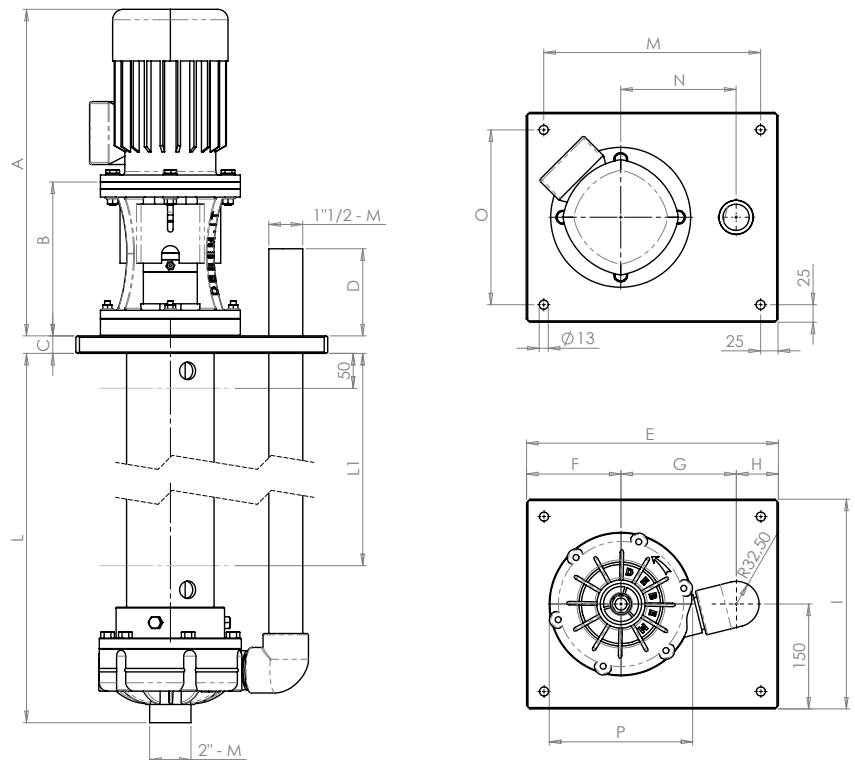
Length measurements in mm

MODEL	POWER	Ø PASSING SOLIDS	SOVEM ENGINE: A-B	A*	B	C	D	E	F	G	H	I	M	N	O	P	MOTOR WEIGHT [kg]*
IM120	1,5 Kw - 2 HP	6	250	470	220	25	125	360	135	165	60	300	310	165	250	203	19

\* Measurements may vary depending on the motor supplier.

L [mm]	L1 [mm]
500	250
800	550
1000	750
1250	1000
50 mm - Max Fluid Level	

Pump	Motor power
IM 80	0.37 Kw - 0.5 HP
IM 90	0.55 Kw - 0.75 HP
IM 95	0.75 Kw - 1 HP
IM 110	1.1 Kw - 1.5 HP
IM 120	1.5 Kw - 2 HP
IM 130	2.2 Kw - 3 HP
IM 140	3 Kw - 4 HP
IM 150	4 Kw - 5.5 HP
IM 155	5.5 Kw - 7.5 HP
IM 160	7.5 Kw - 10 HP
IM 180	11 Kw - 15 HP
IM 200	18,5 Kw - 25 HP



TANK USE

#### Seal o-ring materials:

- EPDM
- VITON®

#### Packaging:

wooden cage - dimensions and weights vary depending on the length of the pump

#### Accessories:

- FLANGE KIT (DIN standard - ANSI on request)
- PP pump protection filter\* (\*Filter sold separately)
- PVDF pump protection filter\* (\*Filter sold separately)
- Customisable fixing plate only at the design stage