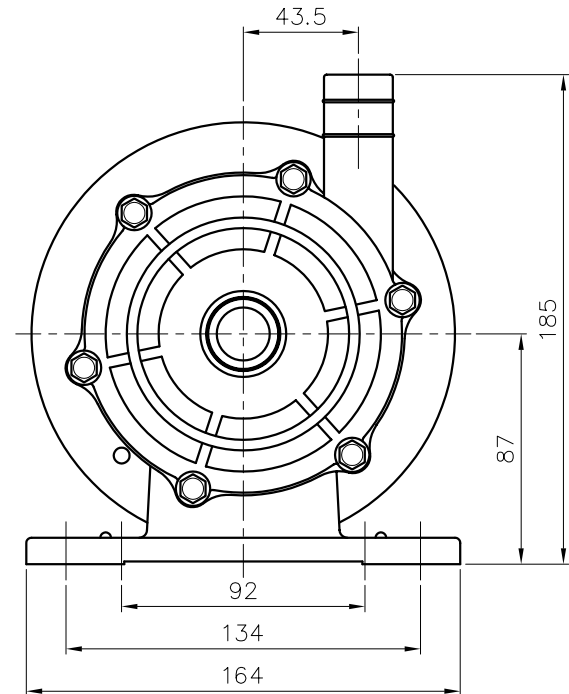
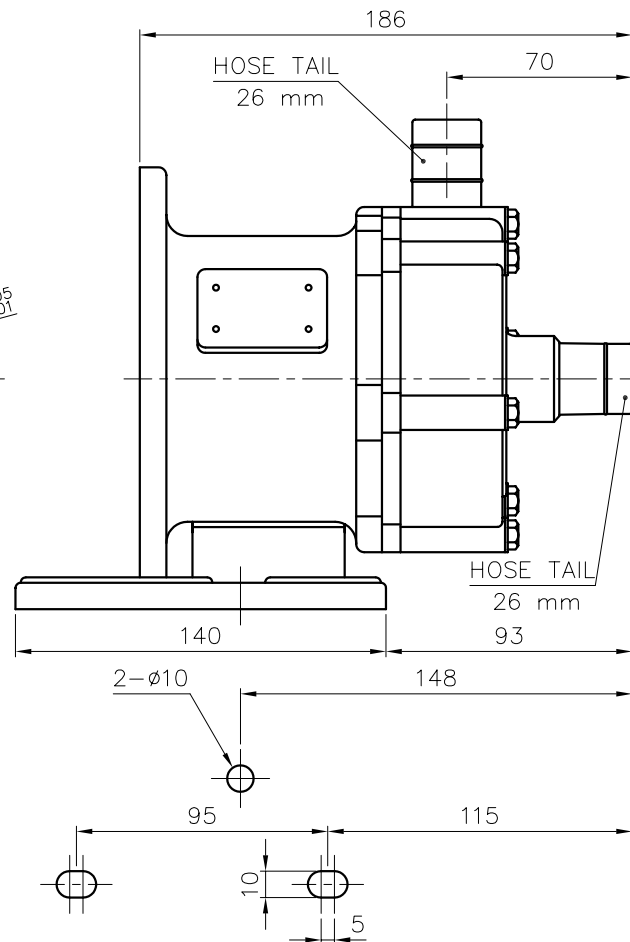



(L = 23)



Frame No. : 63

DIMENSION TOLERANCE : JIS 16 CLASS

APPROVED		MDL. NAME		NH-250PS-3E NH-250PS-3E-F	
UNIT	MM	CHECK	08 09 11	NH-250PS-3E-K	
SCALE	1:2	DESIGN	12 14 94	DWG. NAME	
EDITION	3	DR. BY	08 09 11 FANNY	INSTALLATION DRAWING	
			DWG. NO.	B1252007	A3
TPW HONG YUAN			 PAN WORLD CO., LTD. パンワールド株式会社		