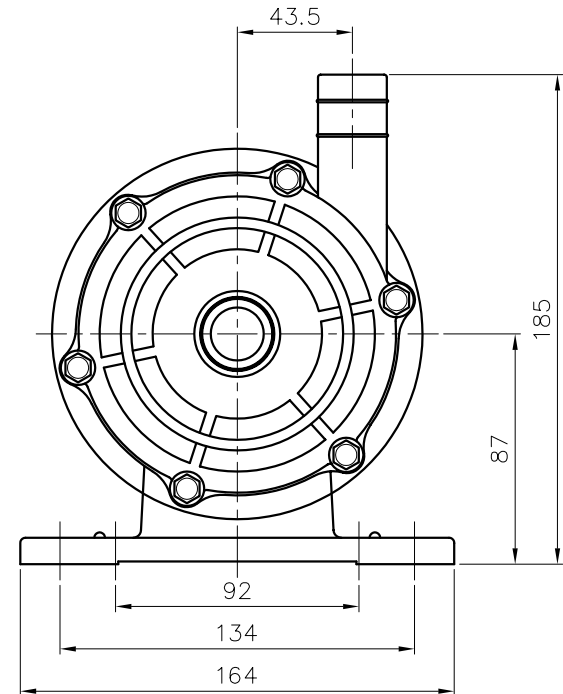
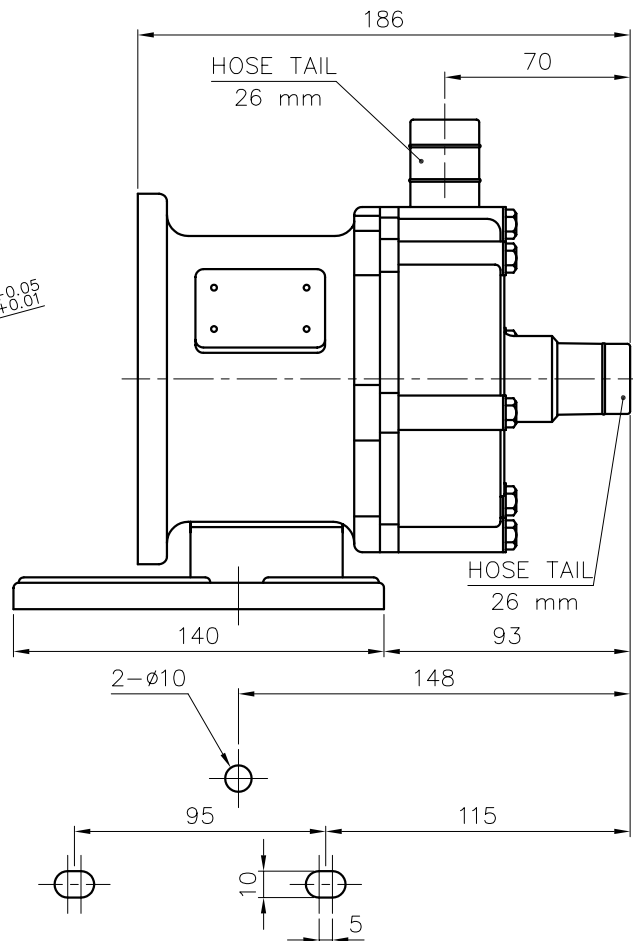



( L = 23 )



Frame No. : 63M

DIMENSION TOLERANCE : JIS 16 CLASS

APPROVED		MDL, NAME		NH-250PS-3E NH-250PS-3E-F	
UNIT	MM	CHECK	08 09 11	DWG, NAME	
SCALE	1:2	DESIGN	12 14 94	INSTALLATION DRAWING	
EDITION	3	DR.BY	08 09 11 FANNY	DWG, NO.	E1252098 A3
TPW HONG YUAN			 <b>PAN WORLD CO., LTD.</b> パンワールド株式会社		